

**WeatherAll™**

by kelley

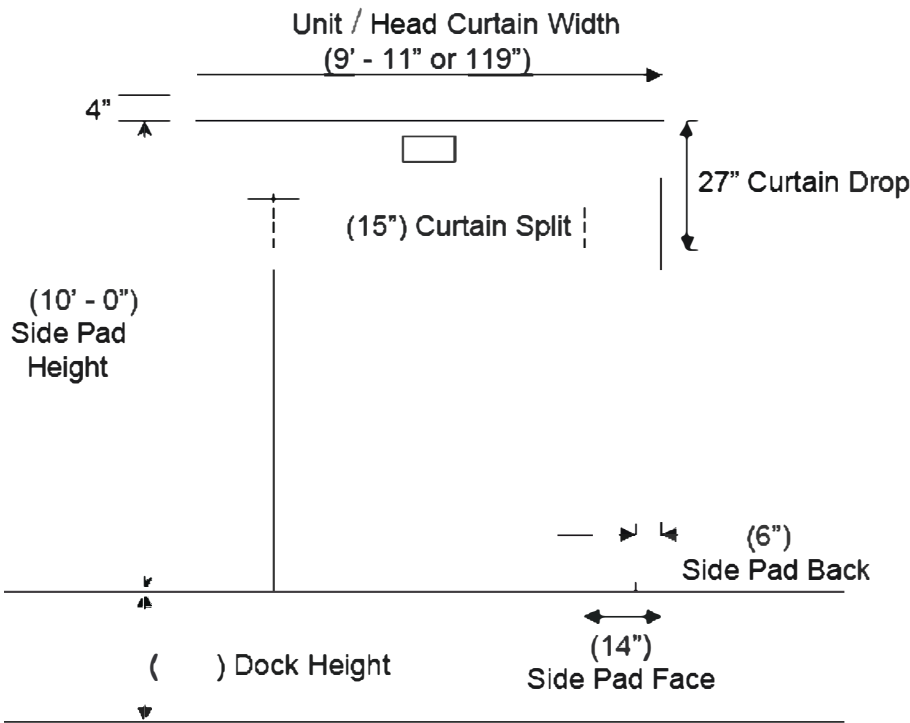
## Dock Seal With Curtain Head Member



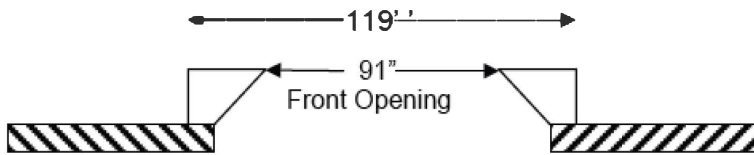
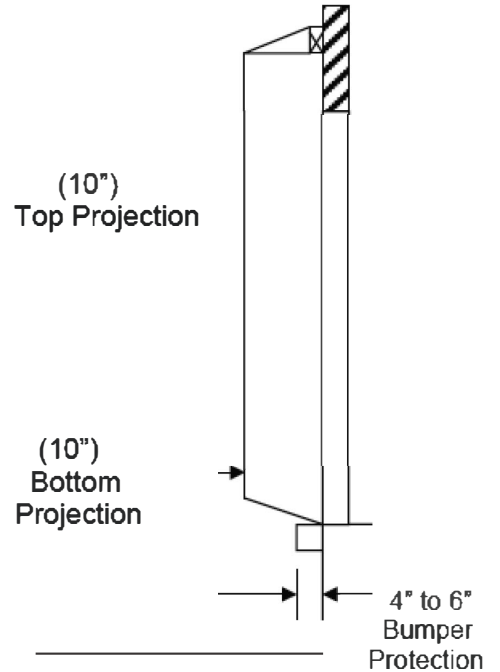
## Summary of Features

- Base fabric—Black 22 oz Vinyl. 8" exposure wear pleats are standard on the head pad corners.
- KDAT, select grade wood backing.
- Endurance-tested foam core is continuously bonded to frame surface with flexible, nonflammable adhesive.
- Resilient, open-celled polyurethane foam keeps original shape and compresses easily.
- 27" high drop curtain with 15" Velcro splits.
- Side pad bottoms are tapered to avoid sagging, pinching and wear.
- All pads are vented for air and moisture release.
- 12" high yellow guide stripes guide drivers to the dock.
- Heavy-duty, galvanized steel mounting brackets included

**FRONT VIEW**



**SIDE VIEW**



8' - 0" Wide Door Requires 6" Offset Mount  
8' - 6" Wide Door Requires 3" Offset Mount

*Note; This dock seal is designed to be installed on doors up to and including 9' - 0" wide x 10' - 0" high*

**Door Dimensions**

Door Opening Width           ft. \_\_\_\_\_ in.  
Door Opening Height: \_\_\_\_\_ft. \_\_\_\_\_ in.  
Dock Height:                   ft.           in.  
Bumper Protection:                   in.

**Trucks And Trailers Served**

Min. Width:                   ft.           in.  
Max Width:                   ft.           in.  
Min. Height:                  ft.           in.  
Max Height:                  ft.           in.